

## Rechargeable headlamp for anglers with integrated receiver

### FLACARP HL4RX

manual

v. 2/2024

The FLACARP HL4RX headlamp lights up when a bite is taken, lighting up the area (bivouac) and allowing the angler to react faster. It can be paired (connected) with bite alarms, alarms and remote control by FLACARP receivers. The headlamp has a main reflector composed of three powerful LEDs and side LEDs in green, red and white color.

#### **Features:**

Main reflector: composed of three white LEDs, intensity up to 300lm.

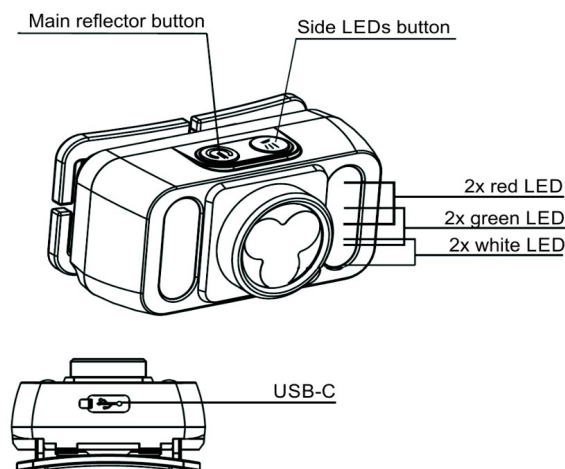
Side LEDs: green, red and warm white (e.g. for reading)

Battery type: Li-Ion, 2600mAh

Charging: USB-C connector, 5V/ max.1A (controlled charging)

Protection: IPX4 (rain protection)

Dimensions: 72 x 37 x 37mm



#### **Main LED reflector - control:**

The main (right) button with on/off symbol controls the main LED spotlight.

When pressed for the first time, it lights up in reduced brightness and when pressed again in full brightness. With a quick double-click of the right button, the main LED spotlight switches to the "Turbo mode", it increases its brightness to an even higher level for a limited time of 60 seconds - this mode is used for short-term lighting in the distance or on the water surface. After the 60 sec. the Turbo mode is deactivated and the main LED switches to its standard high brightness. The main LED is switched off by pressing any button for approx. 1.5 sec.

#### **Side LEDs - control:**

The left button is used to control of the side LEDs. By pressing the button, the LED colors are switched from warmer white (two levels of intensity), through green to red color. The button has a memory function, i.e. after switching off and on again, the last selected color is lighted up. The side LEDs are switched off by holding any button for 1.5 sec. or by short press if the side LEDs have been lit for more than 2 sec.

#### **Switching on/off the integrated receiver:**

To switch on the receiver, hold down the main (right) button for approx. 3 sec. Switching on is signalled by lighting up the buttons in blue. Switching off is indicated by the buttons lighting up in red color. Short blue flashes of the buttons at an interval of approx. 4 sec. indicate that the integrated receiver is switched on. To avoid unintentional battery discharge during long non-use of the headlamp, the receiver is switched off automatically 24 hours after the last action (bite or alarm) or after the last button press.

#### **Saving a new device in the memory:**

Hold both buttons together for approx. 3 sec. The white side LEDs light up dimly and the buttons are illuminated in blue color. Now send the signal by the accessory that you would like to save (bite alarm, motion sensor, receiver...) and the device will be saved in the memory of the headlamp. Correct saving is indicated by a short flash of the front LEDs and buttons in green. If the red LED lights up, the memory is full or the device is already saved in the memory. The pairing mode is terminated. To pair another device, repeat the procedure.

#### **Delete all devices from the memory:**

By press of both buttons together for approx. 8 sec. the memory is completely deleted (all 10 positions are released). This is indicated by a fast flashing of the buttons in red color.

#### **Headlamp function:**

The headlamp lights up after the bite alarm (or motion/shock alarm). If the headlamp has already been lit (is in use), its mode does not change.

The buttons are illuminated in same color that is set on the bite alarm - the angler can immediately know which bite alarm is indicating a bite.

#### **Switching off (on) the receiver indication:**

The short blue flashes of the buttons that indicate the receiver is on can be switched off (or on again) by holding for the left button for approx. 5 sec. The switching on of this receiver function is confirmed by flashing the buttons in blue and switching off is confirmed in red. Switching off this indication does not affect the receiver function itself.

#### **Battery status indication:**

After the headlamp is switched on, the buttons briefly illuminate. If the battery capacity is between 70 - 100%, it lights up green, below 70% it lights up orange. Below 15%, the light is red.

#### **Charging:**

The headlamp is charged by connecting a standard 5V/1A charger or powerbank via the USB-C connector. The connector is protected by a rubber cap. To guarantee the declared protection against rain, it is very important to put the cap back in place after charging and protect the connector against humidity. Charging must be only in a dry environment. Charging is indicated by the buttons flashing red LED, after charging the buttons will light up in green color (100%).

Charging is controlled automatically to ensure the longest possible battery life. The charging time depends on the battery condition, battery discharge and temperature.

#### **Declaration of conformity:**

The manufacturer, TFE elektronika s.r.o., declares that the HL4RX Headlamp Radio Device complies with Directive 2014/53/EU.

#### **Warranty:**

The FLACARP HL4RX headlamp is guaranteed for 24 months. The warranty does not cover damage caused by use contrary to these instructions, damage due to penetration of humidity, chemicals, high temperature, improper handling of the product, mechanical damage and undue stress contrary to the intended use.

Whether your product is under warranty or out of warranty, we will always try to help you and solve any problem.

Please do not dispose of this product with your household waste, but take it to the appropriate collection centre. Please contact your supplier or the manufacturer for further information.

#### **Producer:**

 **FLACARP**

high quality fishing electronics

TFE elektronika s.r.o., nam. Svobody 1509, 696 81 Bzenec, CZ

Tel.: +420 731 115 151, email: [flacarp@tfe.cz](mailto:flacarp@tfe.cz), eshop: [www.flacarp.com](http://www.flacarp.com)

Technical data and lighting and charging time are approximate.